



# DIAPHRAGM GAS METER

## MEASURING UNIT

Made of Japanese Co-polymerization of formaldehyde M90-44(POM), injected by Mitsubishi machine;  
The high physic-chemical properties, with strong reliability, good self-lubricating property and compactness surpassing other similar products remarkably.

## REGISTER COVER

Material is Polycarbonate, which has strong impact resistance and keeps the bolts falls into the track to withstand.

1<sup>st</sup>

2<sup>nd</sup>

3<sup>rd</sup>

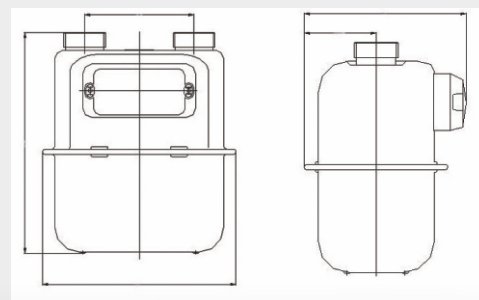
## DIAPHRAGM

Made of Polyester fabric coated with nitride synthetic rubber;  
Pass more than 200 Million times of Bally Test, oil-resistant change of mass less than 65%, the flexibility is less than 0.45g/cm, the low temperature type diaphragm can work under -35°C ambient temperature.

# Technical Parameters

ITEM	UNIT	MODEL	
		NG1.6(5)	NG2.5 (5)
Nominal Flow Rate	m <sup>3</sup> /h	1.6	2.5
Max. Flow Rate	m <sup>3</sup> /h	2.5	4
Min. Flow Rate	m <sup>3</sup> /h	0.016	0.025
Total Pressure Loss	Pa	≤ 200	
Working Pressure Range	kPa	0.5-30	
Cyclic Volume	dm <sup>3</sup>	1.2	
Permissible Error	Qmins ≤ Q < -0.1 Qmax	%	±3
	0.1Qmax ≤ Q ≤ Qmax	%	±1.5
Min. Recording Reading	dm <sup>3</sup>	0.2	
Max. Recording Reading	m <sup>3</sup>	99999.999	
Relative humidity	%	≤ 93%	
Operation Ambient temperature	°C	-20°C ~ +50°C	
Store temperature	°C	-20°C ~ +60°C	
Service life	Year	10(Natural Gas)	
Connection Thread		G1¼(for Customization)	

## Size



MODEL	DIMENSIONS (mm)				
	H	W	D	E	A
NG1.6 (S)	224	205	167.5	69	110
NG2.5 (S)	224	205	167.5	69	110
NG4 (S)	224	205	167.5	69	110

Enquiries:

IGL Genesis Technologies Limited

C-3, Sector 145, Gautam Buddha Nagar, Noida, Uttar Pradesh 201310



info@iglgenesis.com